

PEGASUS

Compare these features to **ANY** other machine on the market

- 6 or 8 feet wide
- Unlimited Length
- Precision hardened and ground linear bearings on all axis
- Dropped outboard rail for easy fork lift loading
- Precision gantry machine based on rigid single side drive
- Machine mechanics and cutting table never touch, precision components never see heat
- Optional Full Pressure Lubrication
- Automatic oilers bearing mounted
- Optional U Leg base
- 100% built in the USA

Standard Equipment:



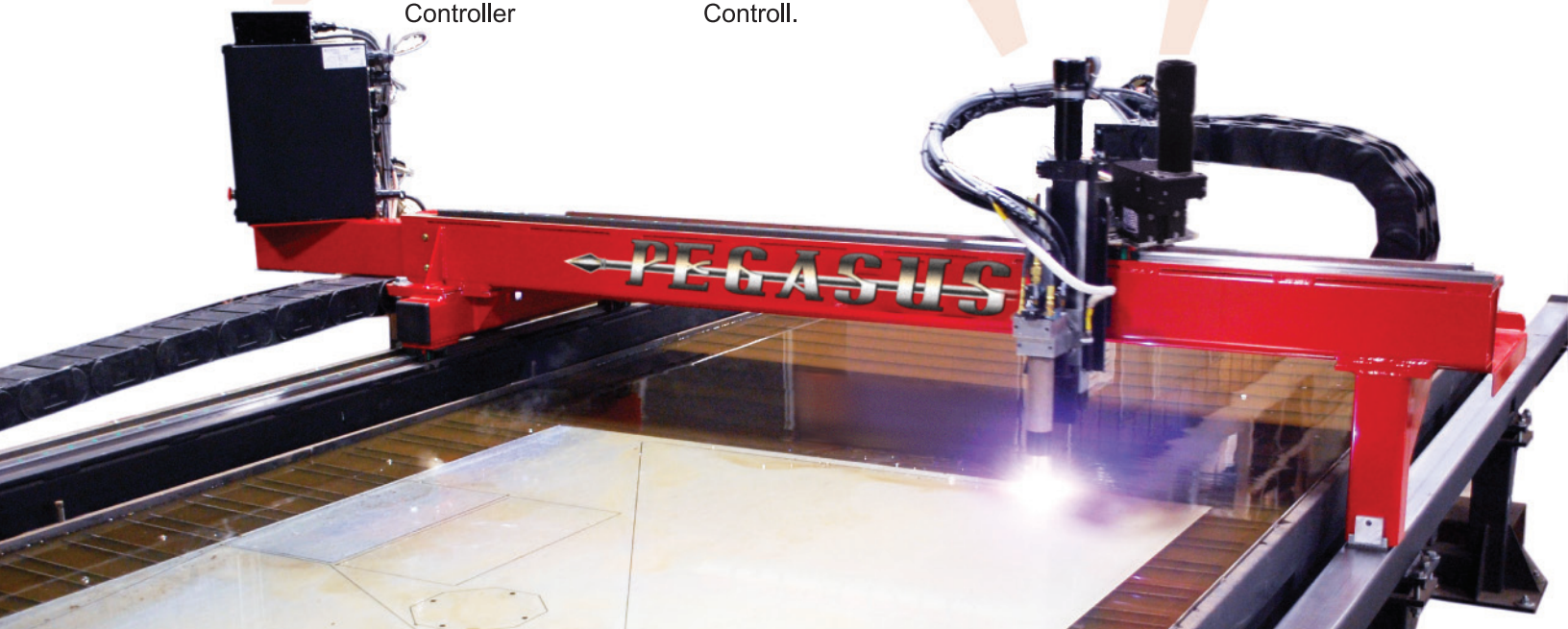
Burny Phantom ST Controller

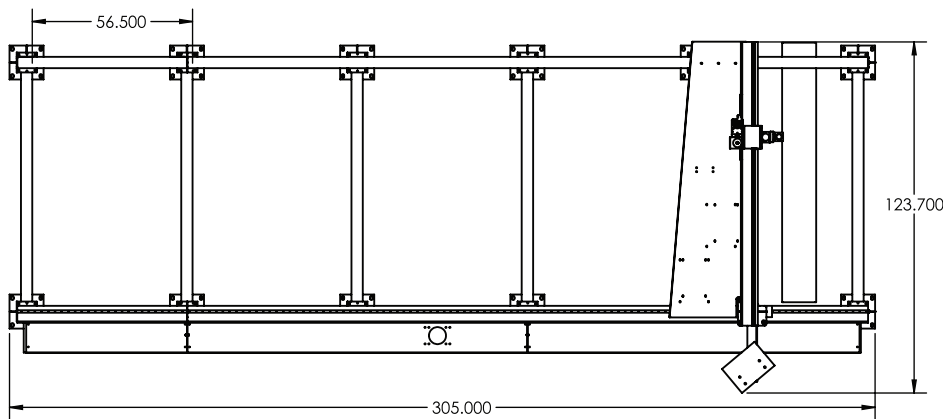
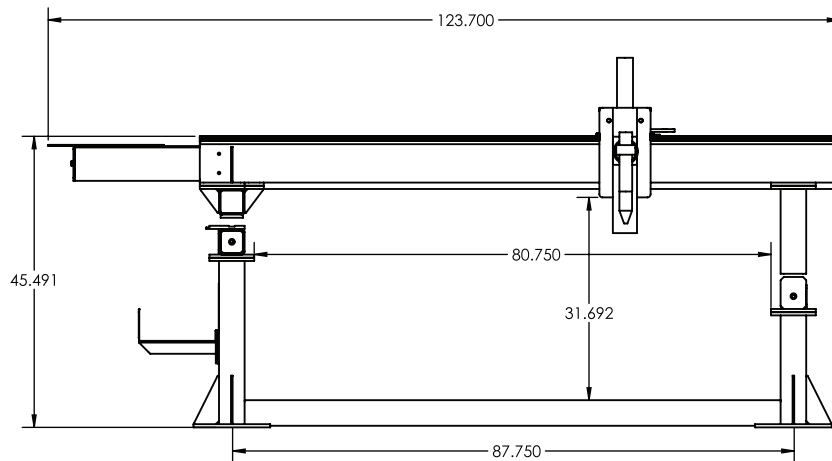


Optional Inova Automatic Height Control.

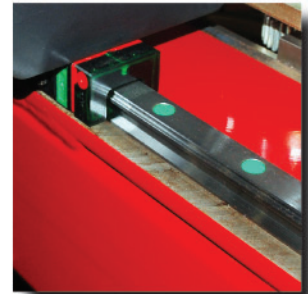


Burny "Bison" DC Motor





6 by 20 cut zone layout. Please call the factory for your exact machine layout drawings.



All axis use hardened and ground linear ways with automatic lubricators.



PC based industrial CNC control with touch screen allows use of industrial duty plasma with high frequency start.

- Factory installation
- Machine tool precision
- Factory support
- Cutting table is NOT part of the precision of the machine
- Simple design
- Affordable price.

Pegasus: When cost is a factor why settle for home hobby and stepper motors? Pegasus uses precision ground and hardened rails on both X and Y axis, closed loop DC servo motors and industry standard PC based computers to deliver industrially hardened performance.

